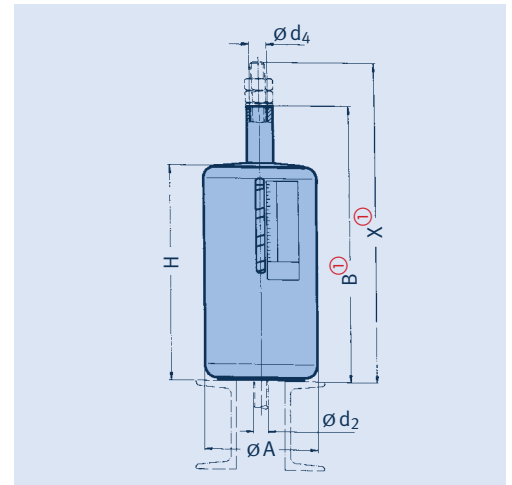


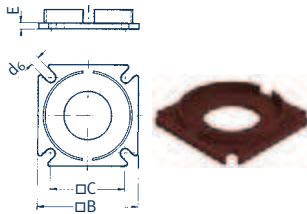
Spring hangers Type 25

Spring hangers for seating type 25 D2 19 to 25 93 18

Standard design,
delivery from stock.



If required, the base plate
type 72 can be attached
to type 25.



type	B	C	d ₆	E	[kg]
72 D9 28	125	95	12	8	1.0
72 19 28	125	95	12	8	1.0
72 29 28	150	115	14	10	1.6
72 39 28	150	115	14	12	1.8
72 49 28	190	140	18	12	3.0
72 59 28	220	170	18	12	4.0
72 69 28	260	200	23	15	6.9
72 79 28	290	215	23	20	10.9
72 89 28	290	215	27	20	10.9
72 99 28	340	255	33	25	18.2

load group

type	øA	B ①	ød ₂	ød ₄	H	X _{max} ①	weight [kg]
25 D2 19	90	350	M10	13	245	380	2.8
25 D3 19	90	675	M10	13	470	705	4.9
25 11 18	90	200	M12	13	145	230	2.1
25 12 18	90	350	M12	13	245	380	3.1
25 13 18	90	675	M12	13	470	705	5.5
25 21 18	115	205	M12	13	150	235	3.5
25 22 18	115	355	M12	13	250	385	5.1
25 23 18	115	665	M12	13	460	695	8.4
25 31 18	115	210	M16	18	155	250	3.7
25 32 18	115	355	M16	18	250	395	5.3
25 33 18	115	675	M16	18	470	715	8.9
25 41 18	155	230	M20	25	180	280	8.0
25 42 18	155	395	M20	25	290	445	11.5
25 43 18	155	730	M20	25	525	780	18.6
25 51 18	180	265	M24	28	215	325	14.5
25 52 18	180	405	M24	28	305	465	18.0
25 53 18	180	740	M24	28	540	800	29.0
25 61 18	220	300	M30	34	245	375	26.0
25 62 18	220	465	M30	34	360	540	35.0
25 63 18	220	845	M30	34	640	920	56.0
25 71 18	245	350	M36	40	300	440	40.0
25 72 18	245	530	M36	40	430	620	53.0
25 73 18	245	900	M36	40	700	990	79.0
25 81 18	245	385	M42	47	335	495	44.0
25 82 18	245	605	M42	47	500	715	66.0
25 83 18	245	1075	M42	47	875	1185	111.0
25 91 18	275	415	M48	54	370	535	67.0
25 92 18	275	645	M48	54	545	765	92.0
25 93 18	275	1110	M48	54	910	1230	143.0

① Dimensions B and X are reduced on loading by the corresponding spring travel (see load table on p. 2.5).

Order details:
spring hangers type 25 ...
marking: ...
set load: ...kN
travel: ...mm up/down



For special applications,
e.g. in extremely restricted
spaces, spring hangers
type 25 can be supplied
as a trapeze unit.